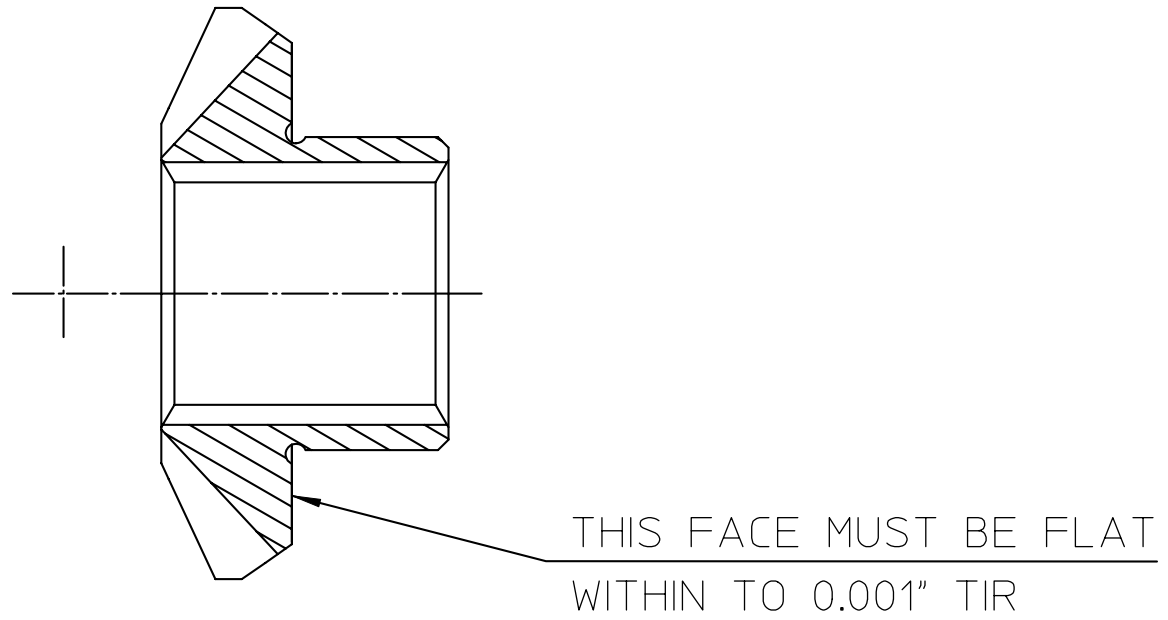


HEWLAND PART No:- FTR-213-6FD



| | | | | | | |
|-------|--------------|------|----------------------------------|-----------------------------|--------------------------------|---|
| | | | MATERIAL BOUGHT OUT PART - | SCALE 1:1 | DIMENSIONS | MACHINING TOLERANCES UNLESS STATED GENERAL DIM TOL TO BE $\pm 0.12\text{mm}$ ($\pm 0.005''$) ANGULAR DIM TOL TO BE $\pm 0.25^\circ$ HOLE POS'N TOL TO BE $\pm 0.25\text{mm}$ ($\pm 0.010''$) REMOVE ALL BURRS & SHARP EDGES |
| | | | HEAT TREATMENT NONE | DRAWN L.M. 04/05/2004 | APPROVED L.M. 04/05/2004 | |
| | | | SHOT PEEN NONE | RELEASED TO MANUFACTURE | | |
| | | | FINISH CLEAN & OIL | L.M. 04/05/2004 | TITLE SIDE BEVEL GEAR | |
| ISSUE | MODIFICATION | DATE | | | | |

